

Standard Signal Meter S1010



- Measuring input for standard signals 0/4..20 mA or 0..10 V
- LED display 14.2 mm red, indicating range ±9999(0) digit
- Max. 2 alarm outputs, relay SPDT
- Analog output 0/4..20 mA, 0/2..10 V
- Field case with snap-lid, cable glands 2 x M16x1.5

Characteristics

The Standard Signal Meter S1010 has been designed for measuring industry standard signals 0/4..20 mA or 0..10 V DC. The device offers an integrated transmitter supply for direct connection of 2- and 3-wire transmitters for e.g. pressure or temperature. Indicating range and decimal point are free programmable in the range ± 9999(0) digit.

Technical data

Power supply

Supply voltage : 230 V AC ±10 %; 115 V AC ±10 %, 24 V AC ±10 % or 24 V DC ±15 %

Power consumption : max. 3.5 VA

Operating temp. : -20..+55 °C

CE-conformity : EN 61326-1:2013; EN 60664-1:2007

Input

Current : 0/4..20 mA Ri = 10 Ω

Voltage : 0..10 V Ri = >100 kΩ

Potentiometer : 0..1 kΩ / 100 kΩ

Accuracy : < 0.1 % ± 2 digit

Transmitter supply : U₀ approx. 24 V, Ri ca. 150 Ω, max. 50 mA (max. 25 mA with relay and analog output)

Display : LED red, 14.2 mm

Indicating range : ±9999(0) digit with leading zero suppression

Parameter display : LED 2-digit red, 7 mm (parameter and output indicator)

Output

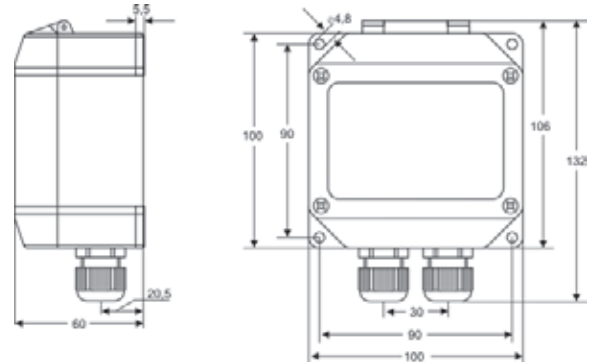
Relay : SPDT < 250 V AC < 250 VA < 2 A, < 300 V DC < 50 W < 2 A

Analog : 0/4..20 mA burden ≤ 500 Ω; 0/2..10 V burden > 500 Ω, without isolation, automatically output changing

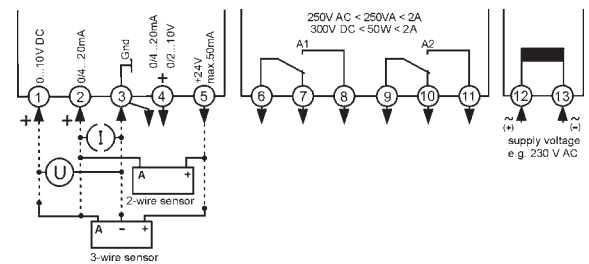
- accuracy : 0.1 %; TK 0.01 %/K

- Field case : material PA6-GF 15/15
 Dimensions : 100x100x60 mm
 Weight : max. 350 g
 Cable glands : 2 x M16x1.5
 Connection : clamp terminals, 0.08..1.5 mm², AWG28..AWG14
 Protection class : front IP65, terminals IP20 acc. to BGV A3

Dimensions



Connection diagram



Ordering code

S1010 - 1. - 2. - 3. - 4. - 5. - 6. - 7.

1. Input	
1	standard signals 0/4..20 mA, 0..10 V DC, integrated transmitter supply 24V max. 50 mA
2. Alarm output	
00	not installed
2R	2 relay outputs
3. Analog output	
00	not installed
AO	analog output 0/4..20 mA, 0/2..10 V DC
4. Supply voltage	
0	230 V AC ±10 % 50-60Hz
1	115 V AC ±10 % 50-60Hz
4	24 V AC ±10 % 50-60Hz
5	24 V DC ±15 %
5. Options	
00	without option
01	min- and max-peak hold
07	display brightness programmable
08	analog output free programmable
09	1xM20x1,5 multi (2xØ6mm), 1xM20x1,5
6. Unit (appears in the unit field)	
7. Additional text placed above the display (3x70 mm HxW)	