



The ideal combined wind and ship sensors

ARCO-SERIAL · ARCO-NAV

► Compact and extremely robust wind / ship sensor

ARCO-SERIAL for measuring wind direction and wind speed

ARCO-NAV for measuring wind direction and wind speed, especially on ships



ARCO-SERIAL



ARCO-NAV



Features and advantages

- More than 160 years of experience in classic meteorology and in professional ship meteorology
- Frictionless data acquisition by means of contact-free measuring principle
- Highest reliability by means of precision ball bearings and high quality measuring elements
- Seawater resistant surface finishes for high durability
- Low starting value of 0.3 m/s
- Very large measuring range from 0.3 to 75 m/s
- Easy installation by pipe mounting and M12 plug connector
- Integrated, regulated heater for optimal heating of the sensor heads
- Thermal separation between sensor heads and housing
- Changeable wind vane and three-armed cup anemometer
- Sensor head with integrated obstacles prevents infiltration of water
- Digital NMEA output (RS 485– Talker-Mode)
- ASCII-data protocol according to NMEA 0183
- The compact design of the sensor reduces the effort with regard to components and their mounting times upon comparison with single instruments



1 Introduction

The sensors of the ARCO family are very robust, compact and extremely reliable. When developing these sensors particular consideration has been given to the fulfillment of meteorological requirements. The sensors embody the experience of more than 160 years of development and production of LAMBRECHT meteo wind sensors.

The system acquires the horizontal air flow and processes the measuring data to the meteorological parameters wind speed and wind direction.

The sensors and further system components are mounted in a splash water resistant and dustproof metal housing.

The measuring data are automatically transmitted via serial interface RS 485 in talker mode, when the power supply is switched on.

Due to their shock and vibration proof construction the sensors ARCO-SERIAL and ARCO-NAV are particularly qualified for use under severe environmental conditions. The housing and the measuring elements are made of seawater resistant aluminium alloys. The housing, the cup rotor and the wind vane are anodized; the housing of the ARCO-NAV is lacquered white (RAL 9003).

An electronically controlled sensor heating device allows for operation of the sensor over the wide range of -30 to +70 °C.

2 Start-up

Wind can be represented by a vector quantity. For a complete description of the wind it is necessary to specify its speed and direction. The two components are subject to spatial and temporal variations; thus, strictly speaking, the values are only valid for the site where the measuring instrument is installed. We therefore recommend selecting the place of installation very carefully.

2.1 Installation conditions

2.1.1 General

For professional wind measurements the location and height of the wind sensor are important for accurate, correct results and representative wind conditions. Ideally, the sensor should be installed 10 m above the ground on a mast. There should also be nothing affecting wind flow within a radius of 150 m around the sensor. This may be buildings, trees, tall towers, lifting cranes, moving vehicles, aircrafts, helicopters or other obstructions. In the case of mobile measurements on vehicles often the above mentioned conditions are not practicable. Then you have to find compromises.

Generally, wind measuring instruments should not measure the specific wind conditions of a limited area, but indicate the typical wind conditions of a wider area. The values measured at different places must be comparable. Thus, when installing the sensor you should make sure the place of installation is not under the lee of great obstacles. The distance between the obstacles and the sensor should be 10 times the height of the obstacles (this corresponds to the definition of an undisturbed terrain).

If an undisturbed terrain of this kind does not exist, the sensor must be put up at a height of at least 5 m above the obstacle height.

If the sensor must be installed on a roof top, the place of installation must be in the middle of the roof to avoid predominant wind directions. If you want to measure both wind direction and wind speed, if possible, the sensors should be mounted at the same measuring point, with any mutual interference of the sensors being avoided. The sensors ARCO-SERIAL and ARCO-NAV easily meet this requirement.



The sensor must not be installed on to, or close to transmitting plants or antennas. A minimum distance of 2 m is to be kept for interference-free signal transfer.

2.1.2 Ships

For operation on ships you should select a mounting place with little interference from obstacles such as masts, antennas and chimneys. In most cases the sensor will be mounted on the ship's highest mast.



For wind measurements on board of ships, the location and height of the wind sensor are important for representative and accurate measuring results. The sensors should be ideally located on the top of the mast, without any influence from obstacles. If this is not possible, the sensors should be installed on a mast traverse of at least 1.5 m length, on the port side of the ship.

2.2 Tools and installation aids

There are no special tools or materials required for installation or maintenance. All work can be carried out with standard tools available in a regular workshop.

2.3 Unpacking the sensor

The sensor is packed in a separate box, carefully protected against mechanical influences, in order to avoid damage during transport. When securely installed, the sensor can withstand shock and vibration, which normally occurs on ships.

Please verify that the following parts and documents are enclosed:

- 1 sensor ARCO
- 1 operating manual

Accessories: (dependant on order size, always separately packed)

Connecting cable with plug and core cable ends

2.4 Goods inspection

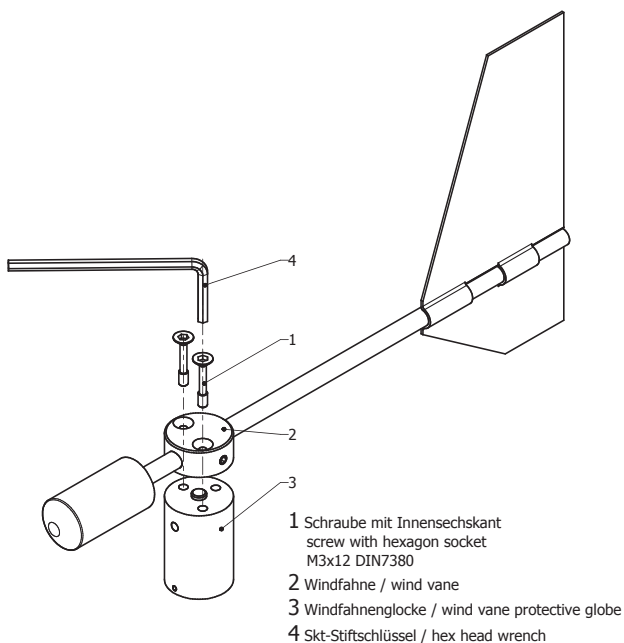
Please thoroughly check the delivery with regard to completeness and eventual transport damages. In case of eventual claims please contact us in writing immediately.

2.5 Power supply

The sensor requires at the input connector a 24 volt nominal DC power source for operation. The sensor-heating has to be supplied with 24 volt DC and has a power consumption of 2.9W.

2.6 Mounting the cup rotor on the wind speed sensor

The bores at the cup rotor are provided in such a way that the cup rotor can only be installed in a certain, clear position. In each case all screws must be used to attach the cup anemometer and wind vane. Thus the correct direction of rotation is guaranteed. The necessary wrench is included in the delivery.



2.7 Installation procedure (brief explanation)

The installation of the sensor involves 3 steps:

- (1) Mounting the cable on the sensor and if necessary drawing the cable through the mast.
- (2) Mounting the sensor on the mast, but before tightening the screws you must align the sensor to the north.
- (3) Attaching the cable to the power supply and the signal acquisition system.

2.8 Mounting the sensor

The sensor can be installed on a standard pipe with an outer diameter of 50 mm and an inner diameter of at least 40 mm.

Before attaching the unit with the two 8 mm socket screws, the cable must be connected, by drawing it through the pipe and the sensor aligned to the north or in the forward driving direction. For this purpose the housing is marked accordingly (see drawing). Adjust the sensor to the north before tightening the screws.

Please make sure that the sensor is firmly attached to the mast!

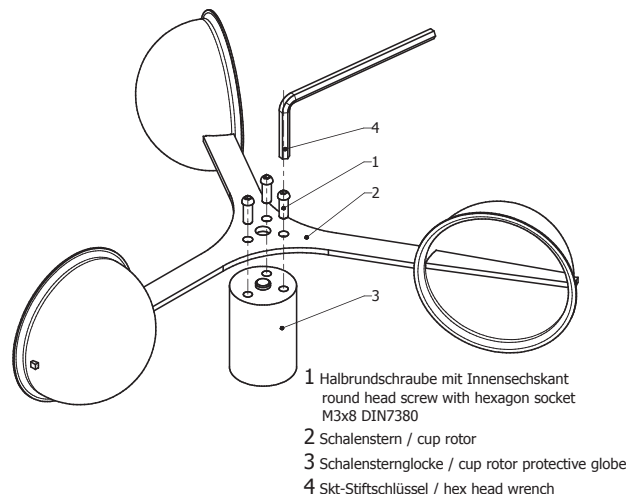
2.8.1 Alignment of wind vane

For wind direction measurements the north mark on the sensor must be aligned with the geographical north direction. To adjust the wind sensor in a firm and correct manner into the north direction this item is equipped with an integrated mounting aid. Inside the inner bottom of the sensor a small bolt pointing to the north is integrated to be set into a corresponding slot of the mounting pipe (if available). Thus the sensor is safely attached. If needed you can screw or unscrew the pin by means of an allen key.

You have to turn the marking on the wind vane so that it is exactly over the marking on the sensor shaft. Fix the position of the wind vane with, for example with a piece of adhesive tape. After alignment the adhesive tape has to be removed.

When you have fixed the wind vane you can locate the reference point by aiming at it over the axis. Now you must turn the sensor casing on the mounting tube until the tip of the wind vane points to the reference point in the north.

To set up the sensor's north orientation select a landmark which is as far as possible up north with regard to the final position of the wind direction sensor.





The reference point can be selected using a topographical map (1:25000). The exact position of the reference point is determined using an amplitude compass that can be adjusted horizontally on a stand.



The compass declination has to be considered!

To align the sensor in a forward direction (on ships) locate a point outside the ship in the landscape which is located in the ship's forward direction respectively in the centre line or, in the case that the sensor is mounted far away from the middle line, a line parallel to the centre line.

The sensor can be fastened by means of the two hexagonal screws when the tip of the wind vane points to the northern reference point. Finally the earth screw has to be connected to the ship's ground. Acid-free contact grease is recommended to protect contact surfaces against corrosion.

A functional check at three points offset by 90° directions is recommended.



Follow all safety instructions while setting up the sensor on to a mast.

2.8.2 Power and signal connection

If the sensor is mounted in the correct manner and connected with the right cable (accessory), you can attach the wires for the power supply and signal outputs to the data acquisition equipment (computer).

The ARCO sensor requires a 5 pole M12 plug connector. The cable shield should be connected with both ends at the ground wire (PE).



To reduce the risk of inductive interference the sensor must be properly grounded (screening on both sides).

The external connection is carried out via a central connector which is located in the housing base. For further details about the electrical connection please see section "Electrical connections".

The typical power supply requirements of the sensor are 24 VDC with a current consumption of 20 mA. The input range is 6.5...32 VDC. The heater of the ARCO is supplied with 24 VDC and has a current consumption of less than 0.9 A at heating power of 2.9 W.

Under most climatological conditions the heating prevents blocking of the moving sensor parts. Neither the cup rotor nor the wind vane are heated. In the case of icing or formation of ice on the moving sensor element the function is restricted for the period of icing.

The output signal of the sensor conforms to the RS485 standard in talker mode. The line drivers are capable of transmitting data over cable lengths up to 1,220 meters (4,000 feet). The cable lengths are dependent on the quality of the cable used.

As soon as the power supply of the sensor is switched on, the sensor automatically sends cyclic data.

2.8.3 Safety regulations



Because the wind sensor is often mounted in exposed locations at dangerous heights the installation personnel have to pay attention to the relevant safety regulations. During the electrical installation work the external circuitbreaker must be switched off.

It is not permitted for unauthorized persons to open the housing!

3 Maintenance

3.1 Regular maintenance and calibration

The sensors require very little maintenance and are designed for a long service life. Regular visual checks are recommended, regarding dirt build-up on the surface caused by the weather. Whenever this is the case, we strongly recommend to clean it. A regular visual and functional check of the wind sensor is recommended.



If reference measurements are necessary, it must be stringently noted that a comparison of the measured values is given only if the measurements take place under same conditions. I.e. the reference equipment must be used very close to the sensor!

The sensor is a measuring instrument and thus user specific standards apply regarding the period of recalibration.

Manufacturer's recommendation: 2 years.

For the long-term assurance of the function and accuracy of the proposed components, we are pleased to offer you our professional maintenance and calibration services.

3.2 Visual check and cleaning

The use of the sensor under the respective environmental conditions requires certain actions. It is thus recommendable to clean the outside of the housing and shelter within specific intervals. The intervals are dependant on the environmental conditions and the degree of soiling. We recommend a regular visual and functional check.

In case you should be faced with any specific problems, which you are unable to solve, please contact the LAMBRECHT meteo service:

Tel: +49 551 49580

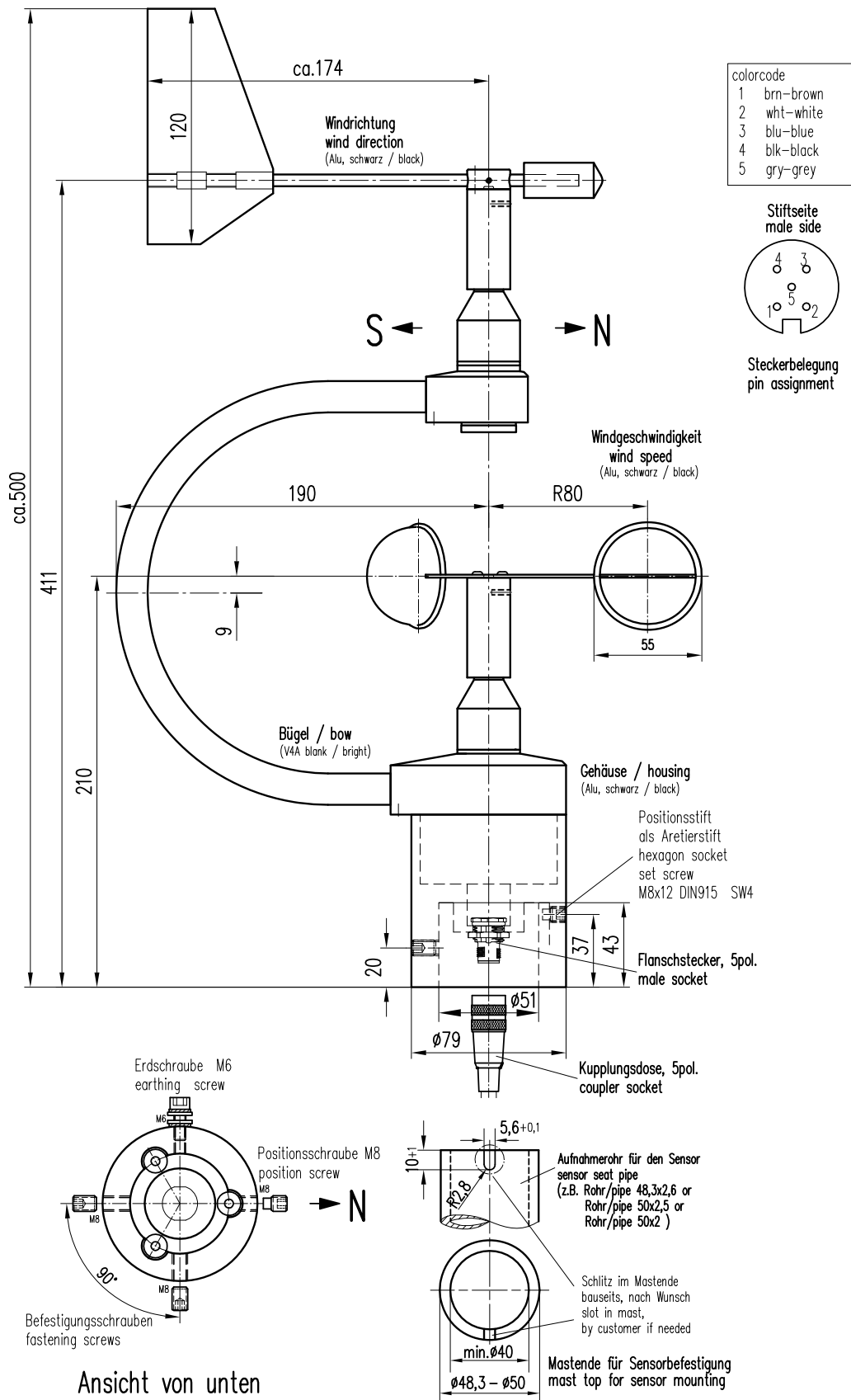
Fax: +49 551 4958 327

E-Mail: support@lambrecht.net

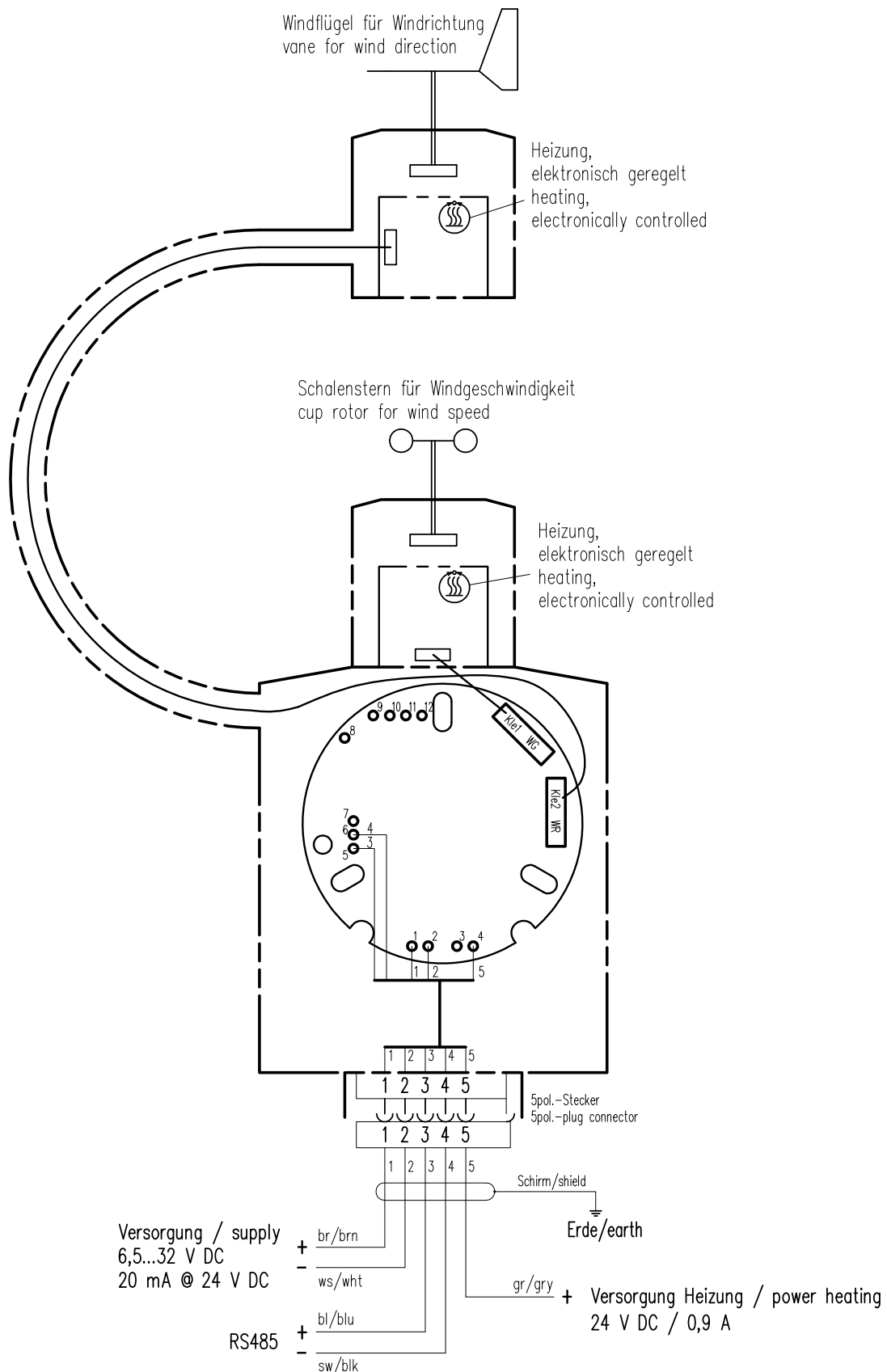
4 Transport

In case it is necessary for you to ship or transport the sensor, it must be carefully packed to prevent damages during transport.

5 Dimensional drawings ARCO-SERIAL and ARCO-NAV



Electrical connections ARCO-SERIAL and ARCO-NAV





6 Data protocols

Data protocol WIMWV

Wind direction and wind speed

Example of a data sequence with comma separated fields:

```
$WIMWV,357.0,R,5.2,M,A*CS<CR><LF>
```

Field delimiter: , (comma)

Header: \$WIMWV

Wind direction (WD): 0.0 to 360.0

R: relative wind direction

Wind speed (WS): 0.3 to 75.0

M: metric unit in m/s

Status A (valid) / V (invalid)

Stop delimiters: <CR> <LF>

Error code: WR 999.9

Error code: WG 99.9

Remark:

In the development of a NMEA decoder fixed field lengths should not be assumed. The NMEA definition is based on a variable field length. The comma character (',') serves as a field separator. Numerical values in a field can be represented in different ways.

If a field is not sent, it has a length of 0 characters (,,).

The check sum „CS“ is output as a 2 character hexadecimal value. All characters in the data sequence between „\$“ and „*“, but excluding „\$“ and „*“ are calculated as XOR function.

<CR>...carriage return (hex0D),

<LF>... linefeed (hex 0A)

Further protocols available on request.



7 Technical data

| | |
|-----------------------|---|
| ARCO-SERIAL | Id-No. 00.14581.010010 |
| ARCO-NAV | Id-No. 00.14581.110010 |
| Range of application: | temperatures -40...+70 °C heated* • speeds 0...80 m/s • 0...100 % r. h. |
| Protocols: | NMEA 0183 • WIMWV |
| Supply voltage: | sensor 6.5...32 VDC/ 20 mA at 24 VDC • electronically controlled heating 24 VDC/ 2.9 W |
| Housing: | seawater resistant aluminium specially anodized (ARCO-NAV with protective paint RAL 9003) • IP 65 in upright position |
| Dimensions: | see dimensional drawings |
| Weight: | approx. 1.7 kg |
| Interfaces: | serial RS 485/ Talker Baud rate 4800 1 Hz (at measuring cycle 10 Hz) • 8 N 1 |

Accessories: (please order separately)

Sensor cable, 10 m, 5 pole M12 plug
Id-No. 32.14581.060000 (various lengths possible)

Options:

(9340) Visualization and evaluation software "MeteoWare-CS-3 Basic"
Id-No. 36.09340.000000

Standards

- EMC/EMI: EN 60945
- Low voltage guideline 73/23/EWG and VDE 0100
- WMO No. 8
- VDI 3786 part 2
- NMEA 0183

Parameter wind direction

| | |
|------------------|-----------|
| Measuring range: | 0...360° |
| Accuracy: | ± 1 % |
| Resolution: | < 1° |
| Starting value: | 0.3 m/s |
| Damping ratio: | 0.5...0.6 |

Parameter wind speed

| | |
|------------------|--------------------------|
| Measuring range: | 0.3...75 m/s |
| Accuracy: | ± 2 % FS at 0.3...50 m/s |
| Resolution: | < 0.1 m/s |
| Starting value: | 0.3 m/s |
| Delay distance: | 4 m |

*) Remark: In the case of icing and formation of ice at the moveable sensor measuring element, the function is restricted for the period of icing.



Quality System certified by DQS according to
DIN EN ISO 9001:2015 Reg. No. 003748 QM15

Subject to change without notice.

14581_SERIAL_NAV_b-de.indd 10.20

LAMBRECHT meteo GmbH
Friedländer Weg 65-67
37085 Göttingen
Germany

Tel +49-(0)551-4958-0
Fax +49-(0)551-4958-312
E-Mail info@lambrecht.net
Internet www.lambrecht.net