

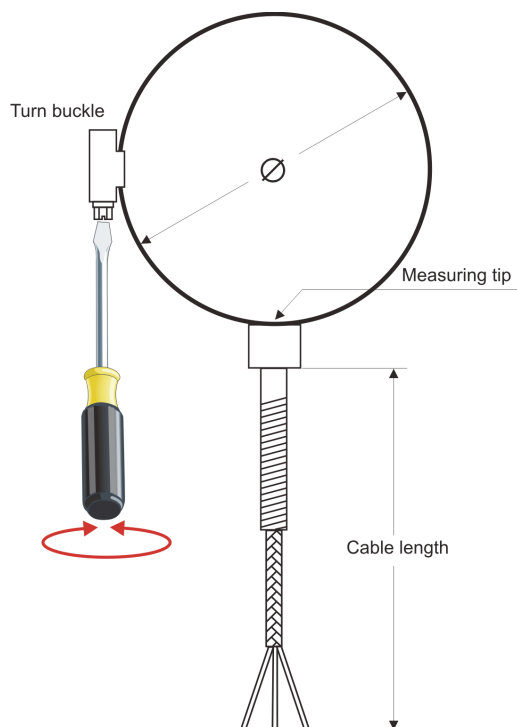
Temperature Sensor 7122



Characteristics

- Thermocouple Fe-CuNi (type J); NiCr-Ni (type K)
- RTD Pt100, class B
- Pipe clamp, protection spring stainless steel 1.4541 protection sheath silver, thermal isolated
- Cable type flexible fiberglass insulation with steel wire braiding or Teflon-Silicon-insulation

Dimensions



Ordering code

1. 2. 3. 4. 5. 6. 7.
 - - - - - -

1. Measuring element	
7122	Pt100 class B
2. Number of elements	
1	
2	
3. Connection type	
2L	2-wire
3L	3-wire
4L	4-wire
4. Clamp range of pipe clamp	
68	Ø 16-25 mm
69	Ø 20-32 mm
70	Ø 32-50 mm
71	Ø 50-70 mm
72	Ø 70-90 mm
73	Ø 90-110 mm
74	Ø 110-130 mm
5. Cable length (please state in clear text)	
2000	Cable length in mm standard
XXXX	custom length in mm; price/m
6. Operating temperature	
250°C	in glass silk – stainless conduction

Stock

7122-1-3L-68-2000-250°C
 7122-1-3L-69-2000-250°C
 7122-1-3L-70-2000-250°C
 7122-1-3L-71-2000-250°C
 7122-1-3L-72-2000-250°C
 7122-1-3L-73-2000-250°C
 7122-1-3L-74-2000-250°C