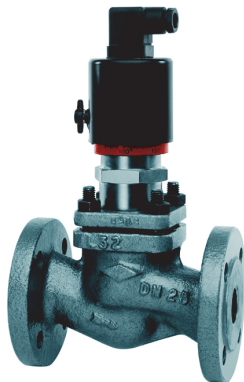


Flow switch VD-...FG

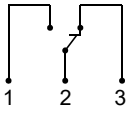


- Highly reproducible
- Insensitive to dirt
- DIN flange housing
- Precise setting of the switching valve by means of a 180° scale / setting diagram

Characteristics

Mechanical flow switch, for fluid media, with no-contact triggering of an adjustable Reed contact. Robust construction in stainless steel material.

Technical data

Switch	Reed switch	
Nominal width	DN 15 – 100	
Process connection	flange	
Adjustment range	2..1600 l/min	For details see table "Ranges"
Q_{max.}	up to 8000 l/min	
Hysteresis	Depending on the switching value, minimum 0.3 l/min	
Tolerance	±5 % of full scale value	
Pressure resistance	PN 16 bar	
Medium temperature	Max. -20..+120 °C	
Ambient temperature	-20..+70 °C	
Media	Water, oils (gases and aggressive media available on request)	
Wiring	Transformer No. 0.213	
Electrical data (without EX)	175 V DC, 0.25 A, 5 W / 120 V AC, 0.18 A, 5 VA	
Electrical data (with EX)	250 V AC, 1.5 A, 50 VA	
Electrical data (optional)	normally open contact, 250 V DC, 1.5 A, 50 W / 265 V AC, 1.1 A, 50 VA	
Protection class	2 - Safety insulation	
Ingress protection	IP 44, optionally IP 65	
Connection	Plug DIN 43650-A / ISO 4400	
Materials medium-contact	1.4310, Greyguss GG25, Ms58, POM, Ms58,, NBR, Klingerit, hard ferrite	
Non-medium-contact materials	ABS	

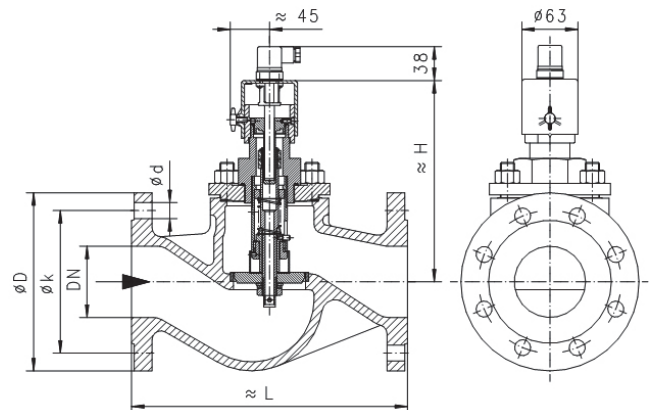
Weight	see table "Dimensions and weights"
Installation location	Standard: horizontal inwards flow; switching head not recommended underneath; other installation positions are possible; the installation position affects the switching point and range.

Ranges

Details in the table correspond to horizontal inwards flow with decreasing flow rate.

Type	Nominal width	Adjustment range l/min H ₂ O		Q _{max.} recommended	
		2- 8	4- 20	20	30
VD-015FG...	DN 15	2- 8	4- 20	20	30
VD-020FG...	DN 20	4- 20	10- 40	40	55
VD-025FG...	DN 25	10- 40	20- 60	60	80
VD-032FG...	DN 32	20- 60	30- 100	100	135
VD-040FG...	DN 40	30- 100	50- 200	150	270
VD-050FG...	DN 50	50- 200	100- 250	270	340
VD-065FG...	DN 65	100- 250	150- 300	400	
VD-080FG...	DN 80	150- 300	300- 450	600	
VD-100FG...	DN 100	200- 400	350- 500	950	
VD-150FG...	DN 150	600- 750	700- 950	2000	
VD-200FG...	DN 200	850-1050	1050-1250	4000	
VD-250FG...	DN 250	1100-1300	1200-1400	6000	
VD-300FG...	DN 300	1300-1500	1400-1600	8000	

Dimensions and weights



Type	H mm	L mm	D mm	k mm	d mm	Weight kg
VD-015FG...	180	130	95	65	4x14	3,2
VD-020FG...	180	150	105	75	4x14	4,2
VD-025FG...	190	160	115	85	4x14	4,7
VD-032FG...	190	180	140	100	4x18	6,6
VD-040FG...	210	200	150	110	4x18	8,0
VD-050FG...	220	230	165	125	4x18	11,2
VD-065FG...	230	290	185	145	4x18	13,8
VD-080FG...	240	310	200	160	8x18	21,0
VD-100FG...	260	350	220	180	8x18	30,5
VD-150FG...	330	480	285	240	8x22	66,0
VD-200FG...	390	600	340	295	12x22	124,0
VD-250FG...	450	730	405	355	12x26	202,0
VD-300FG...	490	850	460	410	12x26	237,0

Handling and operation

Note

- Include straight calming section of 5 x DN in inlet and outlet.
- Include a filter if the media are dirty (use magnetic filter for ferritic components).
- It must be ensured that the values given for voltage, current, and power are not exceeded.
- When switched on, a load must be connected in series.
- The electrical details apply to ohmic loads. Capacitive, inductive and lamp loads must be operated using a protective circuit.

Ordering code

VD - 1. 2. **F** 3. **G** 4. 5.

- Temperature display 0..120 °C
- Temperature monitoring 40..90 °C
- Temperature resistant up to 150 °C
- Protection class IP 65
- Germanischer Lloyd (Type VR)
- Special values
- Rhodium contact (250 VAC, 0,5 A, 30 VA)

Ordering information

- Specify direction of flow, medium, and switching range.
- For oils, state viscosity, temperature and designation (e.g. ISO VG 68) (enquire about switching range).
- For gases, state pressure (relative or absolute), temperature and medium (e.g. air) (request switching range).

1. Nennweite	
015	DN 15
020	DN 20
025	DN 25
032	DN 32
040	DN 40
050	DN 50
065	DN 65
080	DN 80
100	DN 100
150	DN 150
200	DN 200
250	DN 250
300	DN 300
2. Anschlussart	
F	Flansch
3. Anschlusswerkstoff	
G	Grauguss
4. Verstellbereich H₂O für horizontale Anströmung	
008	2 - 8 l/min
020	4 - 20 l/min
040	10 - 40 l/min
060	20 - 60 l/min
100	30 - 100 l/min
200	50 - 200 l/min
250	100 - 250 l/min
300	150 - 300 l/min
400	200 - 400 l/min
450	300 - 450 l/min
500	350 - 500 l/min
750	600 - 750 l/min
950	700 - 950 l/min
1050	850 - 1050 l/min
1250	1050 - 1250 l/min
1300	1100 - 1300 l/min
1400	1200 - 1400 l/min
1500	1300 - 1500 l/min
1600	1400 - 1600 l/min
5. Optional für ATEX	
A	Für Schaltkopf ATEX A-V1 (Der Schaltkopf wird zusätzlich bestellt) 

Options

- Signal lamp