

Produktinformation

T-pieces

T-piece TS-1
For paddle systems

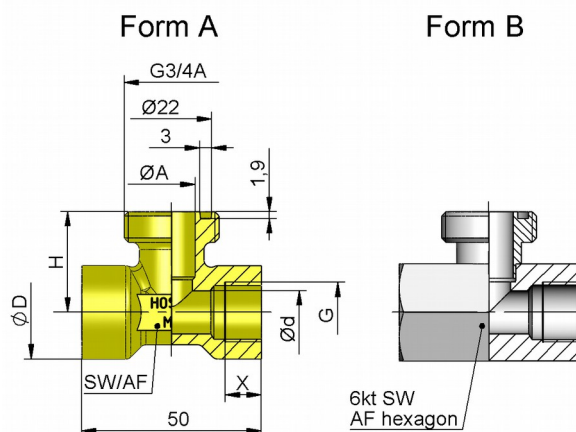
 examples:
 UR1 / UR2 / UR3
 UM3

Characteristics

T-pieces for direct installation in pipework with G - female thread in the material brass or stainless steel.

Technical data

Nominal width	DN 10..50
Process connection	female thread G ³ / ₈ ..G 2
Pressure	PN 25
Materials medium-contact	CW617N nickelled or 1.4305
Weight	see table


Dimensions and weights

	Types	G	H	ØA	X	Ød	ØD	SWAF	6 kt SW AF hexagon	Weight kg	
Form A	TS-1M010	G ³ / ₈	28.0	13/11.5	10	12	26	19	-	0.15	
	TS-1M015	G ¹ / ₂				13					0.12
	TS-1M020	G ³ / ₄	29.5		12	20	32	29			0.16
	TS-1M025	G 1				25	39	36			0.20
	TS-1M032	G 1 ¹ / ₄	37.5		32	46	44	0.23			
	TS-1M040	G 1 ¹ / ₂	40.5		40	55	53	0.33			
	TS-1M050	G 2	49.5		50	70	68	0.56			
Form B	TS-1K010	G ³ / ₈	28.0	13.5/12	10	12	-	-	27	0.20	
	TS-1K015	G ¹ / ₂				13				0.18	
	TS-1K020	G ³ / ₄	29.5		12	20			30	0.16	
	TS-1K025	G 1				25			38	0.25	
	TS-1K032	G 1 ¹ / ₄	37.5		32	46			0.32		
	TS-1K040	G 1 ¹ / ₂	40.5		40	55			0.45		
	TS-1K050	G 2	49.5		50	70			0.75		

Ordering code

 1. 2. 3.
 TS-

1. Connection	
1	for paddle system
2. Construction material	
M	nickelled brass
K	stainless steel
3. Nominal width	
010	DN 10 - G ³ / ₈
015	DN 15 - G ¹ / ₂
020	DN 20 - G ³ / ₄
025	DN 25 - G 1
032	DN 40 - G 1 ¹ / ₄
040	DN 40 - G 1 ¹ / ₂
050	DN 50 - G 2

... professional Instruments "MADE IN GERMANY"

Produktinformation

Welded / soldered nozzles

For system fastener $\varnothing 13.2$



Ordering code

1. 2.
SL -

1. Connection	
1	for system connection $\varnothing 13.2$
2. Construction material	
M	nickelled brass
K	stainless steel

T-piece TS-2

For system fastener $\varnothing 13.2$

examples:

OMNI-F / FLEX-F

OMNI-T / FLEX-T

ETS-...K013

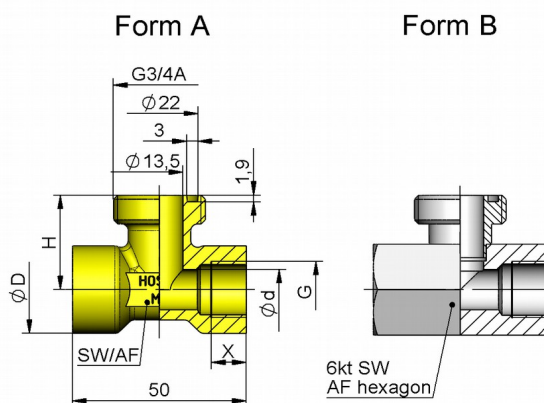


Characteristics

T-pieces for direct installation in pipework with G - female thread in the material brass or stainless steel.

Technical data

Nominal width	DN 10 - 50
Process connection	female thread G $\frac{3}{8}$..G 2
Pressure	PN 25
Materials medium-contact	CW617N nickelled or 1.4305
Weight	see table



Dimensions and weights

	Type	G	H	X	$\varnothing d$	$\varnothing D$	SWAF	Weight kg		
Form A	TS-2M010	G $\frac{3}{8}$	28.0	10	12	26	19	0.15		
	TS-2M015	G $\frac{1}{2}$			13			0.12		
	TS-2M020	G $\frac{3}{4}$	29.5	12	20	32	29	0.16		
	TS-2M025	G 1			25			39	36	0.20
	TS-2M032	G $1\frac{1}{4}$			32			46	44	0.23
	TS-2M040	G $1\frac{1}{2}$			40			55	53	0.33
TS-2M050	G 2	49.5	50	70	68	0.56				
Form B	TS-2K010	G $\frac{3}{8}$	28.0	10	12	-	27	0.20		
	TS-2K015	G $\frac{1}{2}$			13			0.18		
	TS-2K020	G $\frac{3}{4}$	29.5	12	20	32	30	0.16		
	TS-2K025	G 1			25			38	0.25	
	TS-2K032	G $1\frac{1}{4}$			32			46	0.32	
	TS-2K040	G $1\frac{1}{2}$			40			55	55	0.45
	TS-2K050	G 2	49.5	50	70	70	0.75			

... professional Instruments "MADE IN GERMANY"

Produktinformation
Ordering code

 1. 2. 3.
 TS-

1. Connection	
2	for temperature sensor and calorimetric flowsensors using for liquid Media with system fastener Ø13.2
2. Construction material	
M	nickelled brass
K	stainless steel
3. Nominal width	
010	DN 10 - G 3/8
015	DN 15 - G 1/2
020	DN 20 - G 3/4
025	DN 25 - G 1
032	DN 40 - G 1 1/4
040	DN 40 - G 1 1/2
050	DN 50 - G 2

T-piece TS-3

For devices with plug-in sensor Ø12

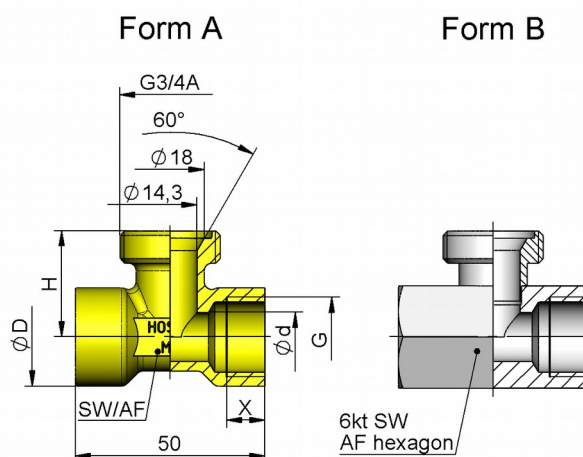
 examples:
 OMNI-F / FLEX-F
 EFKS / EFK2

Characteristics

T-pieces for direct installation in pipework with G - female thread in the material brass or stainless steel.

Technical data

Nominal width	DN 10 - 50
Process connection	female thread G 3/8..G 2
Pressure	PN 25
Materials medium-contact	CW617N nickelled or 1.4305
Weight	see table


Dimensions and weights

	Type	G	H	X	Ød	ØD	SWAF	6 kt SW AF hexagon	Weight kg
Form A	TS-3M015	G 1/2	28.0	10	13	26	19	-	0.12
	TS-3M020	G 3/4	29.5	12	20	32	29		0.16
	TS-3M025	G 1	33.0		25	39	36		0.20
	TS-3M032	G 1 1/4	37.5		32	46	44		0.23
	TS-3M040	G 1 1/2	40.5		40	55	53		0.33
	TS-3M050	G 2	49.5		50	70	68		0.56
Form B	TS-3K015	G 1/2	28.0		10	13	-	-	27
	TS-3K020	G 3/4	29.5	12	20	30			0.16
	TS-3K025	G 1	33.5	25	38	0.25			
	TS-3K032	G 1 1/4	37.5	32	46	0.32			
	TS-3K040	G 1 1/2	40.5	40	55	0.45			
	TS-3K050	G 2	49.5	50	70	0.75			

Ordering code

... professional Instruments "MADE IN GERMANY"

1. 2. 3.
TS- 3 -

1. Connection	
2	Ffor calorimetric plug-in sensors Ø12 for gaseous and liquid media
2. Construction material	
M	nickelled brass
K	stainless steel
3. Nominal width	
010	DN 10 - G $\frac{3}{8}$
015	DN 15 - G $\frac{1}{2}$
020	DN 20 - G $\frac{3}{4}$
025	DN 25 - G 1
032	DN 40 - G $1\frac{1}{4}$
040	DN 40 - G $1\frac{1}{2}$
050	DN 50 - G 2