

Manifold VB

For NJ / NJV / VL



Photo - valve block VB-020GA3 flow indicator NJVK1-020WM020

Characteristics

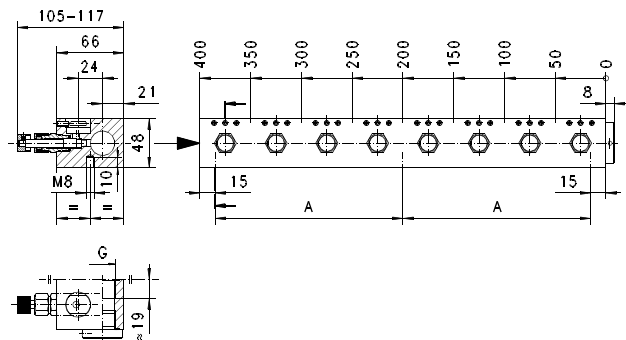
Manifold for single or multiple place systems and integrated needle valve for manual flow regulation.

Technical data

Nominal width	DN 15..20	
Process connection	female thread G ³ / ₄ , optional G ¹ / ₂	
Number of measurement points	1..8	
Pressure resistance	NJ /NJV	PN 25 bar
	VL	PN 10 bar
Medium temperature	NJ /NJV	-20..+110 °C
	VL	-20..+100 °C
Ambient temperature	-20..+70 °C	
Materials medium-contact	aluminium anodised, NBR, CW614N nickelled, CW614N	
Weight	see table "Dimensions and weights"	

Dimensions and weights

Number of measurement points	Types	Length (excluding stoppers)	Number of fixing holes	A	Weight kg
1	VB-020GA1	50	2	-	0.6
2	VB-020GA2	100	2	-	1.1
3	VB-020GA3	150	2	-	1.6
4	VB-020GA4	200	2	-	2.1
5	VB-020GA5	250	2	-	2.4
6	VB-020GA6	300	3	135	3.0
7	VB-020GA7	350	3	160	3.4
8	VB-020GA8	400	3	185	3.8



Ordering code

1. 2. 3. 4.
VB - **G**

○=Option

1. Nominal width	
015	○ DN 15 - G ¹ / ₂
020	DN 20 - G ³ / ₄
2. Process connection	
G	female thread
3. Connection material	
A	aluminium
K	○ stainless steel (1.4305)
M	○ brass (CW614N nickelled)
4. Number of measurement points	
1	1
2	2
3	3
4	4
5	5
6	6
7	7
8	8