

## Flow Meter UK-020



- Frontal scale imprint
- Optionally valve
- Installation plate

### Characteristics

A float moves in a transparent conical measurement tube, relative to the flow. The position of the float depends on the volume flow (weight force versus resistance to flow), and indicates the flow rate on the scaled measurement tube.

### Technical data

<b>Switch</b>	without	
<b>Nominal width</b>	DN 4	
<b>Process connection</b>	female thread 1/8" NPT	
<b>Metering range</b>	0.005..25 l/min	for details see table "Ranges"
<b>Q<sub>max.</sub></b>	to 30 l/min	
<b>Tolerance</b>	±5 % of full scale value	
<b>Pressure resistance</b>	PN 6 bar	
<b>Medium temperature</b>	-20..+65 °C	
<b>Ambient temperature</b>	-20..+65 °C	
<b>Media</b>	water, gases	
<b>Electrical data</b>	none	
<b>Materials medium-contact</b>	<i>Brass construction:</i> acrylic, glass, 1.4305, 1.4310, CW614N, NBR	<i>Stainless steel construction:</i> acrylic, glass, 1.4305, 1.4310, FKM
<b>Non-medium-contact materials</b>	acrylic, CW614N, PS valve: ABS, CW614N	
<b>Weight</b>	0.13 kg	
<b>Installation location</b>	vertical inwards flow from below	

### Ranges

#### Medium water

The details in the table correspond to a vertical inwards flow from below.

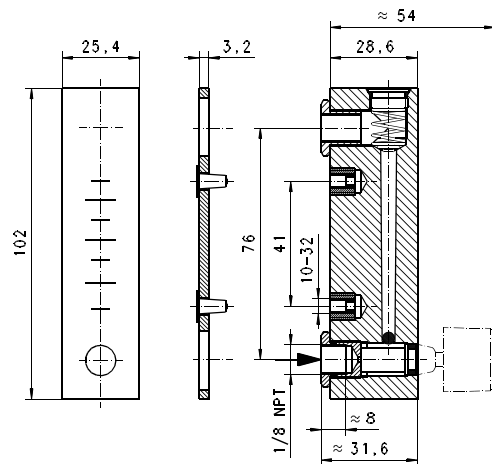
Metering range	Q <sub>max.</sub> recommended	Type
5.0 - 50 cm <sup>3</sup> /min	6 l/min	UK.-020G.W0050
10.0 - 100 cm <sup>3</sup> /min		UK.-020G.W0100
20.0 - 240 cm <sup>3</sup> /min		UK.-020G.W0240
0.2 - 3 l/h		UK.-020G.W0003
0.5 - 6 l/h		UK.-020G.W0006
1.0 - 15 l/h		UK.-020G.W0015
4.0 - 40 l/h		UK.-020G.W0040
10.0 - 80 l/h	UK.-020G.W0080	

#### Medium air

The details in the table correspond to a vertical inwards flow from below, with the medium at a temperature of 0 °C and a pre-pressure of 1.013 bar.

Metering range	Q <sub>max.</sub> recommended	Type
0.04 - 0.5 NI/min	0.7 NI/min	UK.-020G.L0000
0.10 - 1.0 NI/min	1.2 NI/min	UK.-020G.L0001
0.40 - 5.0 NI/min	6.0 NI/min	UK.-020G.L0005
2.50 - 25.0 NI/min	30.0 NI/min	UK.-020G.L0025

### Dimensions



## Handling and operation

- Include straight calming section of 5 x DN in inlet and outlet
- If the media are dirty, install a filter

## Ordering code

UK  1.  2.  3.  4.  5.

<b>1. Valve</b>	
-	without valve
V-	with valve
<b>2. Series</b>	
020	020, 1/8" NPT
<b>3. Process connection</b>	
G	female thread
<b>4. Connection material</b>	
M	brass
K	stainless steel
<b>5. Display range H<sub>2</sub>O for vertical inwards flow</b>	
W0050	5.0 - 50 cm <sup>3</sup> /min
W0100	10.0 - 100 cm <sup>3</sup> /min
W0240	20.0 - 240 cm <sup>3</sup> /min
W0003	0.2 - 3 l/h
W0006	0.5 - 6 l/h
W0015	1.0 - 15 l/h
W0040	4.0 - 40 l/h
W0080	10.0 - 80 l/h
<b>Display range air (0 °C 1.013 bar abs.) for vertical inwards flow</b>	
L0000	0.04 - 0.5 NI/min
L0001	0.10 - 1.0 NI/min
L0005	0.40 - 5.0 NI/min
L0025	2.50 - 25.0 NI/min

## Options

- Metering ranges and special scales under defined operating pressures / temperatures
- Seal made of FKM only for brass construction)

## Ordering information

- Specify direction of flow, medium, and display range.
- For gases, state pressure (relative or absolute), temperature and medium (e.g. air) (request display range)