

Conductivity Converter UNICON®-LF



Characteristics

The Conductivity Converter UNICON-LF has been designed for the measurement of conductivity, as a degree of the purity or concentration of a liquid. In connection with 4-electrode-conductivity cells a high accuracy and insensitivity of contamination can be achieved. A further advantage is a broad range of application with only one cell. Only for measurement in ultra-pure water a special 2-electrode conductivity cell must be used.

Technical data

Power supply

Loop voltage : U_B 14..30 V DC, 2-wire connection
 Operating temperature : 0..50 °C
 CE- conformity : EN 61326-1:2013

Conductivity output

Current : 4..20 mA
 Unit : programmable $\mu\text{S}/\text{cm}$; mS/cm ; $\text{k}\Omega/\text{cm}$; $\text{M}\Omega/\text{cm}$

Decimals : 0..3 digit (unit depending)
 Indicating range : 500..9999 Digit (unit and decimals depending)

min./max. MR : 0..5.00 $\mu\text{S}/\text{cm}$ bis 0..500.0 mS/cm ;
 0..0.500 $\mu\text{S}/\text{cm}$ / 0..50.0 $\mu\text{S}/\text{cm}$
 with ultra-pure cell

Temperature comp. : non linear for ultra pure water and natural water or linear programmable from 0.000..8.000 $\%/^{\circ}\text{C}$

-Cell constant : 0.080..9.999
 -Accuracy : $\pm 0.5\%$ of the measuring value, ± 2 Digit

Temperature output

Current : 4..20 mA
 Burden : $RA \leq (U_B - 14 \text{ V}) \div 0.02 \text{ A}$
 Temperature sensor : RTD Pt100 or Pt1000 acc. to DIN IEC 751
 Unit : °C, °F programmable
 Measuring range : -40.0..+160.0 °C

Alarm outputs

Transistor : 14..30 V DC, max. 60 mA
 Voltage drop : < 2V

MR switch over

R_i : >10 k Ω
 MB1 active : $U = 0..3 \text{ V DC}$
 MB2 active : $U = 12..30 \text{ V DC}$

Display : LCD-dot matrix, 3.8mm characters

Range : 2 lines 16 characters each

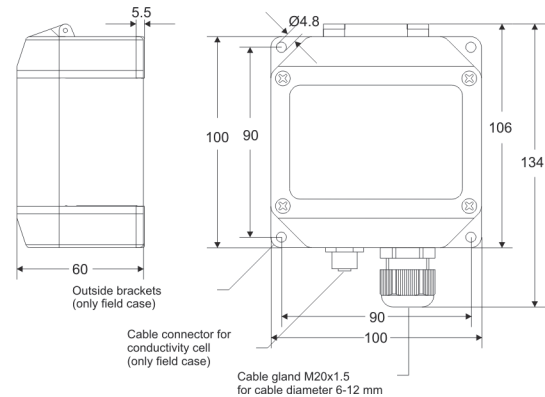
Case : head case / field case

Material : case polyamide with fiber glass
 PA6-GF/GK 15/15, front foil polyester

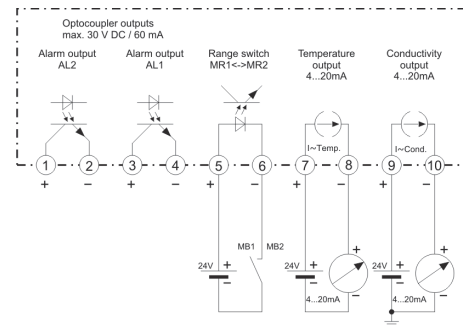
Dimensions : 100 x 100 x 60 mm (WxHxD)

Weight : max. 360 g
 Connection : screw terminal with pressure plate, 2.5 mm² flexible wire, 4 mm² single wire and plug-in cable for sensor
 Protection class : IP65, terminals IP20 acc. to BGV A3

Dimensions



Connection diagram



Ordering code

UNICON-LF - - - - -

1. Model	
1	output 4..20 mA for conductivity 2 electronic alarm outputs
2	as 1, but 2 nd measuring range for conductivity, output 4..20 mA for temperature
2. Mounting	
01	head mounting, on the cell
02	field mounting, separate connection cable page Fehler: Referenz nicht gefunden
03	as 02, but plug stainless steel
3. Measuring principle	
4	4-electrode measurement (2-electrode cell connectable)
4. Temperature compensation	
1	RTD Pt100
3	RTD Pt1000
5. Options	
00	without option
14	measurement/monitoring acc. to USP <645>

Accessories see page Fehler: Referenz nicht gefunden

Connection diagrams see page Fehler: Referenz nicht gefunden