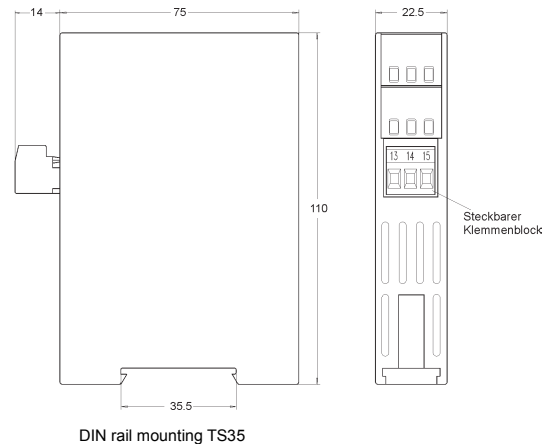


Isolating Switching Repeater TS500-Ex



Dimensions



Characteristics

Isolating switching repeater TS500-Ex can be used for monitoring and controlling digital signals out of the hazardous area. The intrinsically safe input is suitable for switching contact, proximity switch according to Namur DIN EN 60947-5-6, or passive electronic outputs of other devices. The devices must be installed out of the Ex-area because only the input is intrinsically safe.

Technical data

Explosion protection

Certification : DMT 99 ATEX E 079
 Approval : ATEX II (1) G [Ex ia] IIC/IIB or (1) D [Ex iaD]

Power supply

Supply voltage : 230 V AC $\pm 10\%$, 47..63 Hz
 24 V $\pm 15\%$

Power consumption : < 2 W

Operating

temperature : -10..+55 °C
 CE-conformity : ATEX-directive 2014/34/EU
 Standards : EN 60079-0:2006, EN 60079-11:2007
 EN 60079-26:2004, EN 61241-0:2006
 EN 61241-11:2006

EMC-directive : 2014/30/EU / EN 61326-1:2013

Inputs (intrinsically safe)

Namur (acc. to DIN EN 60947-5-6)
 - No load voltage : approx. 8 V
 - max. current : approx. 8 mA
 - Switching points : inactive ≤ 1.2 mA, active ≥ 2.1 mA, hysteresis approx. 0.5 mA
 - Break of wire : ≤ 0.1 mA
 - Short circuit : ≥ 7.5 mA

Switching contact

Output

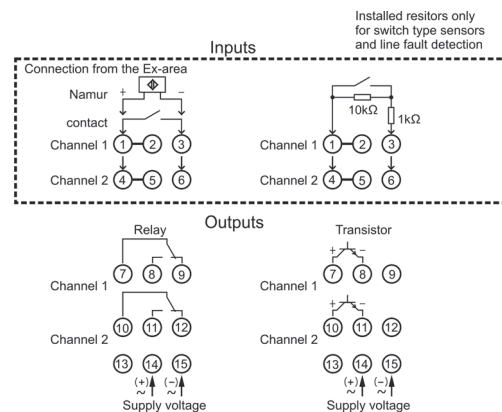
Relay SPDT : < 253 V AC < 100 VA < 2 A;
 < 100 V DC < 50 W < 2 A
 - max. frequency : 5 Hz
 - max. delay : 20 ms (2-channel: 50 ms)
 Transistor : max. 35 V DC, max. 50 mA, voltage free (short-circuit-proof), safety voltage 253 V AC/125 V DC
 - voltage drop : ≤ 3.5 V active (at load 50 mA)
 - max. frequency : 2 kHz

Case

Design : standard case, Makrolon 8020 UL94V-1
 Weight : approx. 200 g
 Electrical connection: screw terminals, max. 2.5 mm²
 Protection class : case IP30, terminals IP20 acc. to BGV A3

More details see user manual

Connection diagram



Ordering code

TS500-Ex - ia - 1. - 2.

1. Output	
1R	1-channel relay output
2R	2-channels relay output
1T	1-channel transistor output
2T	2-channels transistor output
2. Supply voltage	
0	230 V AC $\pm 10\%$
5	24 V DC $\pm 15\%$