

# Standard Counter SZ9648



- 1 input for contact (debounced) max. 30 Hz
- 1 input for electronic max. 15 kHz
- Auto reset or external reset
- LED-Display 14.2 mm red, indicating range 0..999999 Digit
- Max. 4 alarm outputs, relay SPDT or transistor

## Characteristics

The Standard Counter SZ9648 is available as totalizing counter or preselect counter. It operates in up-counting function. The device offers separate counting inputs for proximity switch, light barriers, other electronic signals and for mechanical contacts.

## Technical data

### Power supply

Supply voltage : 230 V AC  $\pm 10\%$ ; 115 V AC  $\pm 10\%$ ;  
24 V AC  $\pm 10\%$  or 24 V DC  $\pm 15\%$

Power consumption : max. 3.5 VA

Operating temp. : -10..+55 °C Standard

CE conformity : EN 61326-1:2013; EN 60664-1:2007

### Input

PNP sensor : Ri = 6,3 k $\Omega$   
level: < 4 V low; > 8.5 V high;  
hysteresis > 2.5 V; max. 35 V DC

Namur sensor : Ri approx. 1 k $\Omega$  (< 4 mA)  
level: < 1 mA low; > 2.2 mA high;  
hysteresis > 0.5 mA; max. 35 V DC

Counting frequency : input A = 30 Hz max.,  
debounced for contact

input B = 15 kHz, electronic

Counting loss : 100  $\mu$ s at reset;  
20 ms changing of preselect value

Min. pulse width : electronic pulse 50  $\mu$ s, switch contact 5 ms

External reset : min. pulse width  $\geq$  10 ms

Transmitter supply : 8 V DC (Namur), 24 V DC (PNP),  
Ri approx. 150  $\Omega$ , max. 50 mA  
(25 mA with 4 relay outputs)

### Display

Indicating range : 0..999999 Digit with leading zero  
suppression

Additional display : LED 2-digit red, 7 mm  
(parameter - and output indicator)

### Output

Relay : SPDT < 250 V AC < 250 VA < 2 A,  
< 300 V DC < 50 W < 2 A

Transistor : max. 35 V AC / DC, 100mA,  
short circuit proof

Case : panel case DIN 96x48,  
material PA6-GF; UL94V-0

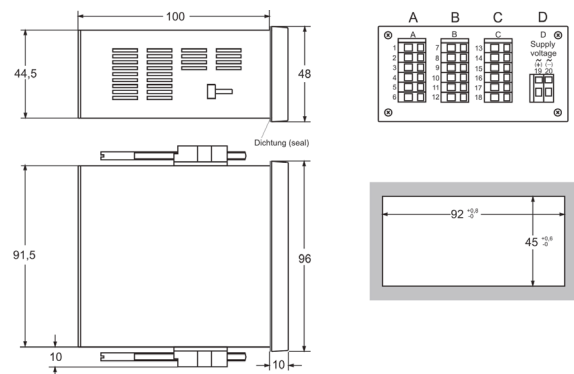
Dimensions : front 96x48 mm, mounting depth 100mm

Weight : max. 390 g

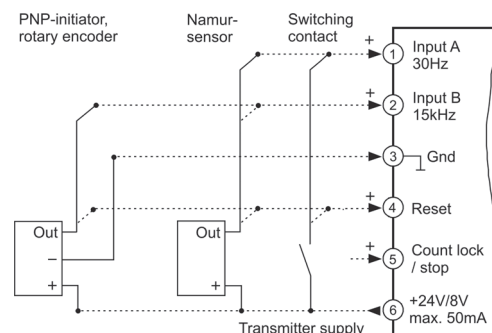
Connection : clamp terminals, 0.08..1.5 mm<sup>2</sup>,  
AWG28..AWG14

Protection class : front IP65, terminals IP20 acc. to BGV A3

## Dimensions



## Connection diagram



## Ordering code

SZ9648 -  1. -  2. -  3. -  4. -  5. -  6. -  7.

1. Terminal strip A	
1	2 count inputs 30 Hz and 15 kHz, 2 additional control inputs, integrated transmitter supply 24V max. 50 mA
2. Terminal strip B	
00	not installed
2R	2 relay outputs
2T	2 electronic outputs
3. Terminal strip C	
00	not installed
2R	2 relay outputs
2T	2 electronic outputs
4. Terminal strip D; supply voltage	
0	230 V AC $\pm 10\%$ 50-60Hz
1	115 V AC $\pm 10\%$ 50-60Hz
4	24 V AC $\pm 10\%$ 50-60Hz
5	24 V DC $\pm 15\%$
5. Options	
00	without option
6. Unit (appears in the unit field)	
7. Additional text placed above the display (3x90 mm HxW)	

Connection diagram for terminal strips B-D see page Fehler:  
Referenz nicht gefunden