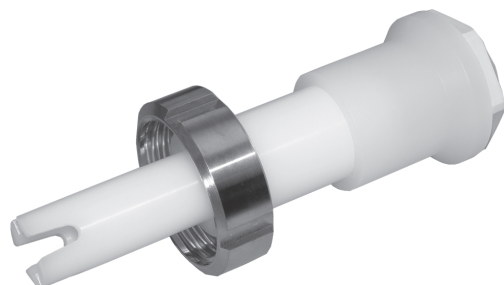


In-line Fitting EA1730 / EA2730



Characteristics

Hygienic fitting; material PVDF for milk-pipe connection acc. to DIN 11887.

This In-line fitting has been designed for electrochemical cells like pH/ORP-, conductivity-cells with PG13.5 process connection. It protects the sensor and ensures a proper measurement. The application field includes food and chemical technology.

Technical data

Process connection: milk pipe acc. to DIN 11887

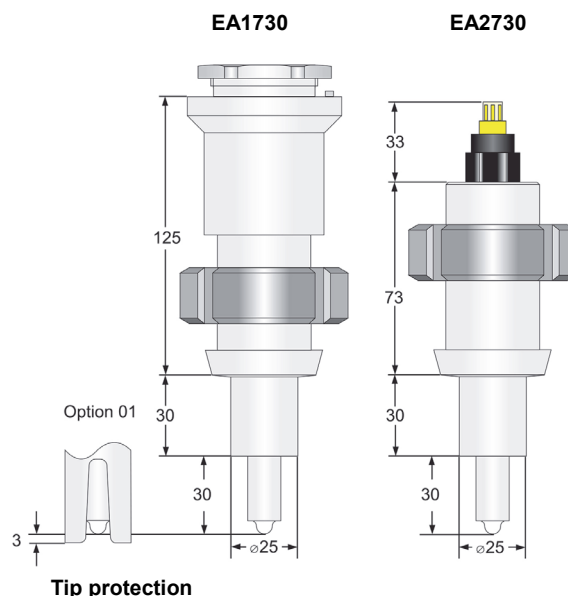
Process material : PVDF
FDA compliant

Cap nut : stainless steel 1.4301

Operating temperature : -10..+120 °C
steam sterilization 140 °C < 1 h

Process pressure : max. 16 bar

Dimensions



Ordering code

EA 1. - 2. - 3. - 4.

1. Model	
1730	head mounting at UNICON-pH, incl. Cap nut
2730	field mounting, incl. cap nut
2. Process connection	
DN25	
DN40	
DN50	
DN65	
3. Sensor type	
0	standard pH / ORP combined-electrodes
4. Options	
00	without option
01	with integrated tip protection (only for pH and ORP combined-electrodes)