

# In-line Fitting EA1200 / EA2200



## Characteristics

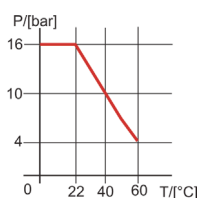
For flow fittings with outer pipe diameter from 20mm up to 63 mm. This In-line fitting has been designed for electrochemical cells like pH/ORP-, conductivity-cells with PG13.5 process connection. It protects the sensor and ensures a proper measurement. The fitting fits for operating at the flow-fitting DFA32. The application field includes swimming pools technology and drinking water measurement.

## Technical data

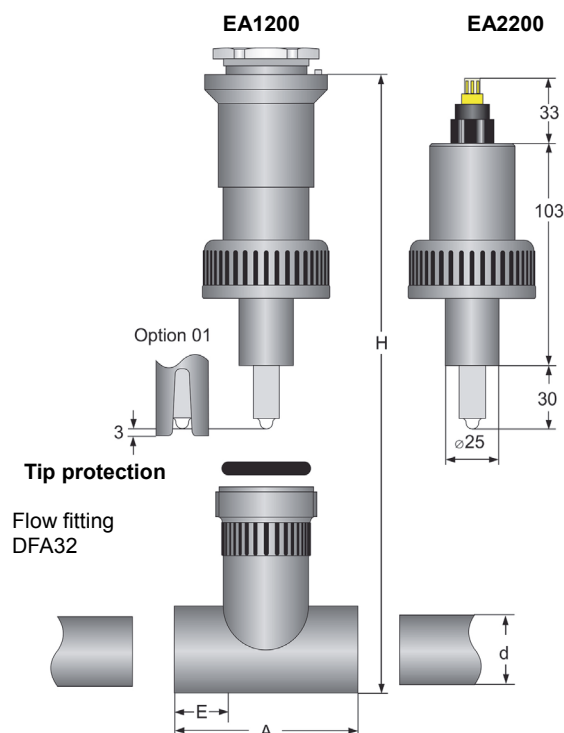
Sensor connection : PG13.5  
 Process connection : screw cap for adhesive coupling  
 Process material : PVC-U acc. to DIN 8061 and 8062

Screw cap : PVC-U  
 Operating temperature : 0..60 °C  
 Process pressure : max. 16 bar at 22 °C

Pressure-temperature table PVC-U



## Dimensions



## Dimensions [mm]

d	H	A	E
20	180	78	22
25	180	78	22
32	180	78	22
40	192	98	26
50	202	118	31
63	216	144	38

## Ordering code

EA  1. -  2. -  3.

<b>1. Model</b>	
1200	head mounting at UNICON-pH, incl. cap nut
2200	field mounting, incl. cap nut
<b>2. Sensor type</b>	
0	standard pH / ORP combined-electrodes
<b>3. Options</b>	
00	without option
01	with integrated tip protection (only for pH and ORP combined-electrodes)
<b>Accessories</b>	flow fitting DFA32 material PVC-U
DFA32-20-1-1	outer pipe diameter d=20 mm
DFA32-25-1-1	outer pipe diameter d=25 mm
DFA32-32-1-1	outer pipe diameter d=32 mm
DFA32-40-1-1	outer pipe diameter d=40 mm
DFA32-50-1-1	outer pipe diameter d=50 mm
DFA32-63-1-1	outer pipe diameter d=63 mm