

Product Information

**GEWAS 191 N / AN
Leakage water detector
with alarm and solenoid**

Permanent protection against water damage



Solenoid valve GMV 191:
for 3/4" faucets
e.g. washing machines



Solenoid valves GMV-TW-XX:
for 3/4" faucets or pipe
assembly

- **Safe warning in case of water leakage: loud buzzer**
- **Water is reliably blocked by solenoid valve**
- **Version -AN with machine shutdown via integrated socket up to 16A - prevents dry running!**
- **Easy commissioning and installation due to Schuko type plug and socket**
- **Different valves for pipes and 3/4" faucets, suitable for drinking water**
- **Always safe: no battery change due to mains operation**
- **Incl. compact universal water sensor, can even be used on metal surfaces**
- **For water treatment, filters, washing machines, dishwashers, etc.**
- **Made in Germany**

Function and Features

The compact water sensor lies flat on the floor (can be screwed on) and detects finest water films - The device gives loud alarm! Mains operated alarm device
Depending on the model, a solenoid valve is also switched off to stop the water source and the machine is switched off to prevent sensitive pumps from running dry.

This combination of features surpasses the safety of simple aquastop systems or similar battery operated control units.

The applications are many:

- Increased protection of washing machines and dishwashers and other gastro equipment with water connections.
- Water filters such as reverse osmosis systems where simple tubing and connection systems can be prone to leakage.
- Water treatment plants and pumps in hospitals, industrial plants, heating systems and much more.

GEWAS 191

- best possible safety against water damage.

Technical Data

Power supply: 230 V 50/60 Hz (control unit)
 Power consumption: approx. 3 VA
 Control output: GEWAS 191-AN: switched integ. Socket
 GEWAS 191-N: none, integ. socket always on
 max. 16 A (resistive load)
 Switching current:
 Water sensor: highly sensitive water sensor, ready to plug in, 2 m cable. Triggers alarm at 1/2 mm water film. Several water sensors can be connected at the same time using the GAZ-1 branch connector. Extension cables 2 m, 5 m and 10 m available. Alarm In case of water detection or unintentional disconnection of solenoid valve or water sensor.
 Valve voltage: safety low voltage 12 V DC.

Solenoid valves, suitable for drinking water – depending on version
 GMV 191: glass fiber reinforced polyamide.
 3/4" screw connection for direct attachment to faucets or to 1/2" washing machine or dishwasher hose with 3/4" wing nut-at valve outlet.

Working pressure: max. 6 bar, servo-controlled.
 Opening at pressure difference between inlet and outlet: min. 0.5 bar.

GMV TW-H: Brass - assembly like GMV191
 GMV TW-M-1/2: Brass – pipe assembly with female thread 1/2". Suitable for water installation

Working pressure: max. 13 bar, servo controlled.
 Opening at pressure difference between inlet and outlet: min. 0.15 bar

GMV TW-M-3/4: Brass – pipe assembly with female thread 3/4"
 GMV TW-M-1: Brass – pipe assembly with female thread 1". Suitable for water installation

Working pressure: max. 10 bar, servo controlled.
 Opening at pressure difference between inlet and outlet: min. 0.15 bar

Ambient conditions 0 to 50 °C; 0 to 90 % r.h. (non-condensing)

Housing break proof ABS
 Protection class IP20, application in closed rooms
 Dimensions control unit 126 * 79 * 54 mm (L*W*H)
 Valve GMV191: 82 * 102 * 41 mm

Product Information

Scope of supply

- Alarm- & control device
- Solenoid valve (refer to ordering code)
- Water sensor
- Manual

Assembly

Hose mounting to faucet



plastic solenoid valve brass solenoid valve M-H

Pipe assembly



brass valve GMH 191-M-1/2

Ordering Code

GEWAS191 1. 2. 3.
 - -

1. Version

- N Complete and ready for use with magnetic valve control
- AN Complete and ready to use, equipped with magnetic valve control + machine switch-off at alarm
- NV Complete and ready for use with machine switch-off at alarm without magnetic valve control

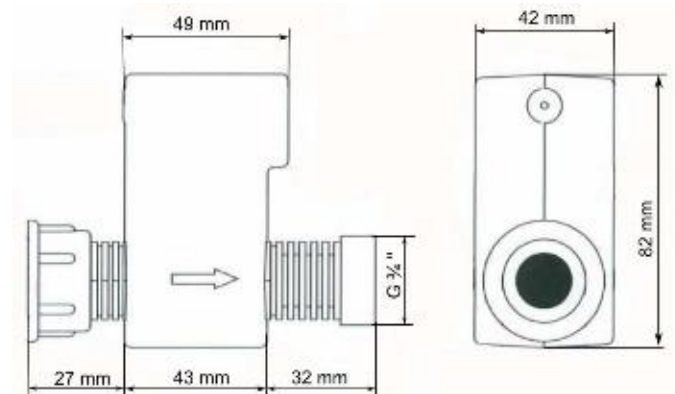
2. Valve

- Plastic valve 1/2 inch, inlet 3/4 inch union nut for hand assembly, outlet 3/4 inch male thread, 1.5m cable
- M-H brass valve 1/2 inch, inlet 3/4 inch union nut for hand assembly, outlet 3/4 inch male thread, 1.5 m cable
- M-1/2 brass valve 1/2 inch, connection 1/2 inch female thread, 1.5 m cable
- M-3/4 brass valve 3/4 inch, connection 3/4 inch female thread, 1.5 m cable
- M-1 brass valve 1 inch, connection 1 inch female thread, 1.5 m cable
- Without, Version -NV

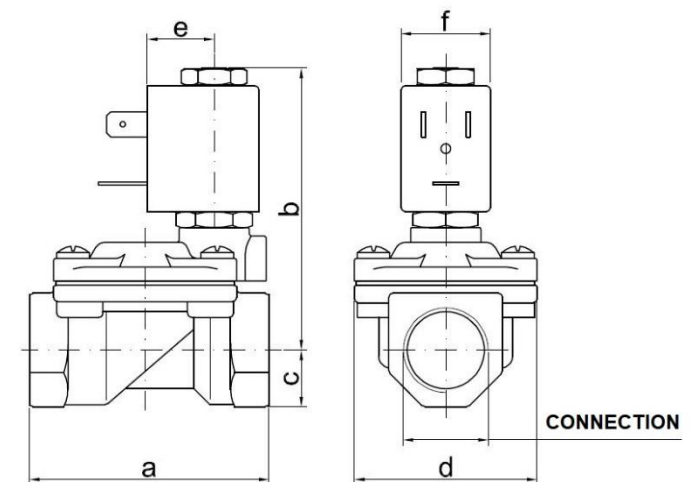
3. Water Sensor

- 2 pole, with plug, 2 m cable
- S/5M 2 pole, with sensor, 5 m cable
- S/10M 2 pole, with sensor, 10 m cable

Plastic solenoid valve GMV 191



Brass solenoid valve GMV 191-M-xx



CONNECTION	a	b	c	d	e	f	Gewicht kg
G1/2" Ø12	59	70	14	45	16	22	0,39
G3/4"	79	76	18	55	16	22	0,65
G1"	96	85	20	72	16	22	1,05

Standard Articles

- Water detector, 1/2 inch plastic valve for 3/4 inch faucet
GEWAS 191-N Art.no. 601742
- Water detector, power shutdown, 1/2 inch plastic valve for 3/4 inch faucet
GEWAS 191-AN Art.no. 601744
- Water detector, power shutdown, 1/2 inch brass valve for 3/4 inch faucet
GEWAS 191-AN-M-H Art.no. 482632
- Water detector, power shutdown, 1/2 inch brass valve for pipe assembly
GEWAS 191-AN-M-1/2 Art.no. 482633
- Water detector, power shutdown, 3/4 inch brass valve for pipe assembly
GEWAS 191-AN-M-3/4 Art.no. 482692
- Water detector, power shutdown, 1 inch brass valve for pipe assembly
GEWAS 191-AN-M-1 Art.no. 482693
- Water detector, power shutdown, without magnetic valve control
GEWAS 191-NV Art.no. 482735

Product Information

Accessories

Spare valves

- Plastic valve ½ inch for faucet assembly to ¾ threads
 GMV191 Art.no. 601664
- Brass solenoid valve ½ inch for faucet assembly to for ¾ threads
 GMV191-M-H Art.no. 482685
- Brass solenoid valve ½ inch for pipe assembly
 GMV191-M-1/2 Art.no. 482689
- Brass solenoid valve ¾ inch for pipe assembly
 GMV191-M-3/4 Art.no. 482690
- Brass solenoid valve 1 inch for pipe assembly
 GMV191-M-1 Art.no. 482691

Sensors: Water sensors GWF-1, standard

- 2 m GWF-1S Art.no. 601706
- 5 m GWF-1S / 5 m Art.no. 601708
- 10 m GWF-1S / 10 m Art.no. 601710



Sensors: Water sensors GWF-2, pure water

- Textile band sensor, for use in pure/ultrapure water, cable 2 m
 GWF-2S Art.no. 601779



Sensors: Floating switch

- Floating switch also for electrically insulating media, PVC, thread GP 7, cable 2 m
 GSS-1S Art.no. 603247



Extension cables *)

- 2 m VEKA 2 Art.no. 601726
- 5 m VEKA 5 Art.no. 601728
- 10 m VEKA 10 Art.no. 601731

Branch connector for use of multiple probes *)

- GAZ-1 Art.no. 602748

*) Note: The extensions and the branch plug are special components (no audio components!) which trigger an alarm in case of unintentional disconnection!
 Only use original parts!