

Level Switch SB

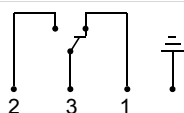


- Mounted in the cover
- Changeover contact

Characteristics

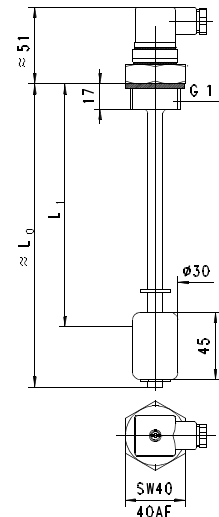
Mechanical level monitor for fluid media with contact-free actuation of a reed contact.

Technical data

Switch	reed switch
Process connection	male thread G 1 A
Density of medium	$\geq 0.35 \text{ g/cm}^3$
Switching value	60..460 mm, for details see "Dimensions and weights"
Tolerance	$\pm 5 \text{ mm}$
Pressure resistance	PN 12 bar
Medium temperature	-20..+105 °C
Ambient temperature	-20..+55 °C
Media	water, oils
Wiring	changeover no. 0.280 
Switching voltage	max. 230 V AC
Switching current	max. 0.5 A
Switching capacity	max. 60 VA
Protection class	1 - PE connection
Ingress protection	IP 65
Electrical connection	plug DIN 43650-A / ISO 4400
Materials medium-contact	CW614N, Spansil (NBR), bronze, NBR
Non-medium-contact materials	PA
Weight	refer to table "Dimensions and weights"
Installation location	vertical installation position

Dimensions and weights

G	Types	L ₀	L ₁	Weight kg
G 1 A	SB-025HM0100	100	60	0.35
	SB-025HM0200	200	160	0.40
	SB-025HM0300	300	260	0.50
	SB-025HM0400	400	360	0.55
	SB-025HM0500	500	460	0.60



Details of float location L₁ mm for density 1 g/cm³
The device is delivered without a seal.

Handling and operation

- It must be ensured that the values given for voltage, current, and power are not exceeded.
- When switched on, a load must be connected in series.
- The electrical details apply to ohmic loads. Capacitive, inductive and lamp loads must be operated using a protective circuit.
- Not suitable for use in media with ferritic particles.

Ordering code

SB -

1. Connection size	025	threaded connection G 1 A
2. Process connection	H	screw-in thread
3. Connection material	M	brass
4. Length L₀	0100	100 mm
	0200	200 mm
	0300	300 mm
	0400	400 mm
	0500	500 mm