

Level Indicator NA



- Wall mounting
- No moving parts

Characteristics

Mechanical flow indicator for fluid media: The level is displayed directly in a sight glass.

Technical data

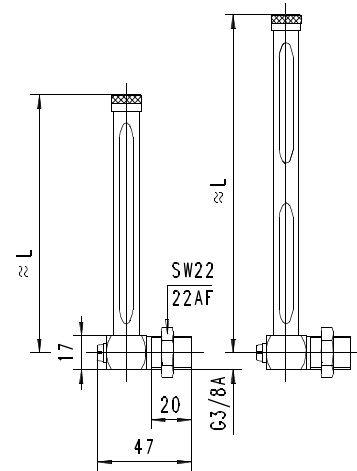
| | |
|------------------------------|---------------------------------------|
| Switch | without |
| Process connection | male thread G 3/8 A, optional G 1/2 A |
| Density of medium | ρ 0.01 g/cm ³ |
| Pressure resistance | - |
| Medium temperature | -20..+80 °C |
| Ambient temperature | -20..+70 °C |
| Media | water, oils |
| Electrical data | none |
| Materials medium-contact | CW614N, natural glass |
| Non-medium-contact materials | CW614N, natural glass |
| Weight | see table "Dimensions and weights" |
| Installation location | vertical installation position |

Dimensions and weights

| G | Types | L | Number of sight glasses | Weight kg |
|---------|-------------|-----|-------------------------|-----------|
| G 3/8 A | NA-010HM040 | 40 | 1 | 0.09 |
| | NA-010HM060 | 60 | | |
| | NA-010HM080 | 80 | | |
| | NA-010HM100 | 100 | | 0.10 |
| | NA-010HM125 | 125 | | |
| | NA-010HM150 | 150 | | |
| | NA-010HM200 | 200 | | |
| G 1/2 A | NA-010HM250 | 250 | 2 | 0.11 |
| | NA-010HM300 | 300 | | 0.12 |
| | | | | 0.14 |
| | | | | 0.15 |
| | | | | 0.16 |

Length 40..200

Length 250..300



Vent drilling in cover.

Ordering code

NA - 1. 2. 3. 4.

○=Option

| | |
|-------------------------------|-------------------------------|
| 1. Connection size | |
| 010 | threaded connection G 3/8 A |
| 015 | ○ threaded connection G 1/2 A |
| 2. Process connection | |
| H | screw-in thread |
| 3. Connection material | |
| M | brass |
| 4. Length | |
| 040 | 40 mm |
| 060 | 60 mm |
| 080 | 80 mm |
| 100 | 100 mm |
| 125 | 125 mm |
| 150 | 150 mm |
| 200 | 200 mm |
| 250 | 250 mm |
| 300 | 300 mm |