

Flow Switch UBX



- Suitable for nominal sizes DN 65, DN 80 und DN 100
- Mikroschwitch with bi-level gold contact
- System connection with oval flange or male thread R 1"
- For temperature range -40 °C bis +140 °C

Characteristics

The devices work via the principle of a bellow-supported paddle which triggers directly a microswitch in case of flow.

Technical Data

Switch	Mikroschwitch
Nominal diameter	DN 65, DN 80, DN 100
Process connection	Oval flange or male thread R 1"
Adjustable range (for decreasing flow)	DN 65: 6.0 m³/h ± 2.0 DN 80: 10.5 m³/h ± 2.5 DN 100: 20.5 m³/h ± 3.0
Q_{max.} (recommended)	DN 65: 33 m³/h DN 80: 45 m³/h DN 100: 65 m³/h (all values for v = 2 m/s)
Pressure rate	PN 16 bar
Medium temperature	-40..+140 °C (no superheated steam)
Ambient temperature	-40..+90 °C
Media	Water, mineral oil, silicone oil, ester oil
Connection diagram	Single changeover contact (wiring 0.371-2) Double changeover contact (wiring 0.409-1)

Switching voltage/ Switching current			A max. ohmic	A max. inductive
	max.	250 V AC/DC	6 A	1,5 A
		125 V AC/DC	6 A	2 A
		24 V DC	6 A	5 A
	1 2 V DC	6 A	6 A	
			A min.	
min.	4 V		1 mA	
Protection class	2 – Safety insulation			
Ingress protection	IP 65 / IP 67 (When using a permissible supply cable)			
Electrical connection	Cable gland M16x1,5			
Materials with medium contact	<i>Brass version:</i> CW614N vernickelt, 1.4305, 1.4310, 1.4541, FVMQ		<i>Stainless steel version</i> 1.4305, 1.4310, 1.4541, FVMQ	
Housing material	Die-cast aluminium			
Weight	1,3 kg			
Mounting position	Standard: horizontal flow; switching unit not recommended underneath; other installation positions are possible; the installation position affects the switching point and range.			

Dimensions

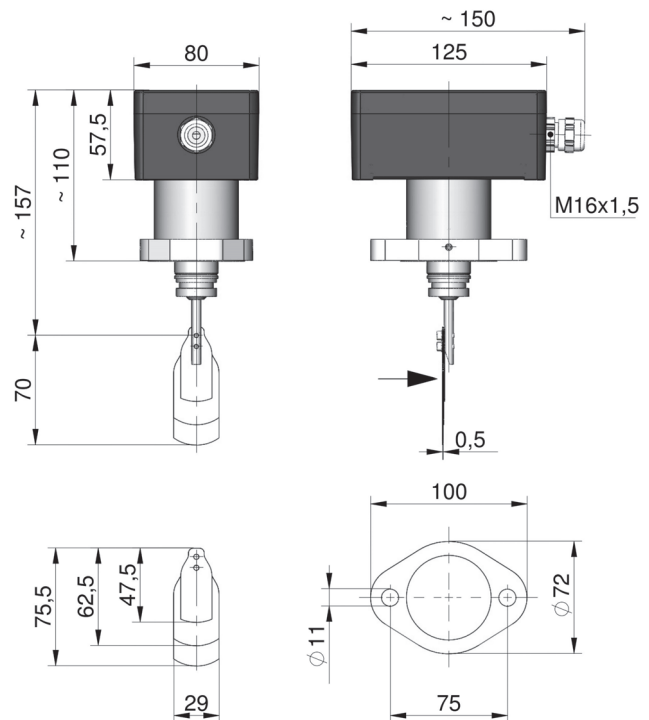


Figure shows flow switch for DN 65 with oval flange!

Attention! Process gasket not included !

Handling and operation

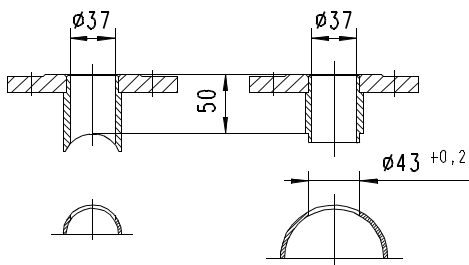
Notes

- Attention! Paddle fixing unsecured. For critical conditions (e.g. vibration), fit a bolted fixing.
- Include straight calming section of 10 x DN in inlet and outlet
- If the media are dirty, install a filter.
- It must be ensured that the values given for voltage, current, and power are not exceeded.
- When switched on, a load must be connected in series.
- The electrical details apply to ohmic loads. Capacitive and inductive loads must be operated using a protective circuit..

Installation recommendation

Flange design

Use a tube with standard wall thickness as per DIN 2448.



Ordering code

UBX - ^{1.} ^{2.} ^{3.}

1. Process connection	
025H	Male thread R1"
032E	Flange
2. Anschlusswerkstoff	
M	Brass
K	Stainless steel
3. Contacts	
S	Single changeover contact
D	Double changeover contact

Options

- Adjustment
- Optional temperature range -50 °C ... +50 °C
- Other process connections on request

Ordering information

- Specify direction of flow, medium, and switching range.
- For oils, state viscosity, temperature and designation (e.g. ISO VG 68) (enquire about range).